



Pilot Operated General Service Solenoid Valves

Brass Body • 3/8" to 1" NPT

2/2
SERIES
8238

The 8238 Series is a 2-way pilot operated valve available in Normally Closed and Normally Open constructions. They are available either AC or DC operated with brass bodies. They come standard with DIN connection coils. Options are limited to flying leads, manual operators, and some alternate elastomers. Dedicated constructions of the 8238 Series are suitable for the following applications:

- General Service (air, inert gas, water, and light oil)

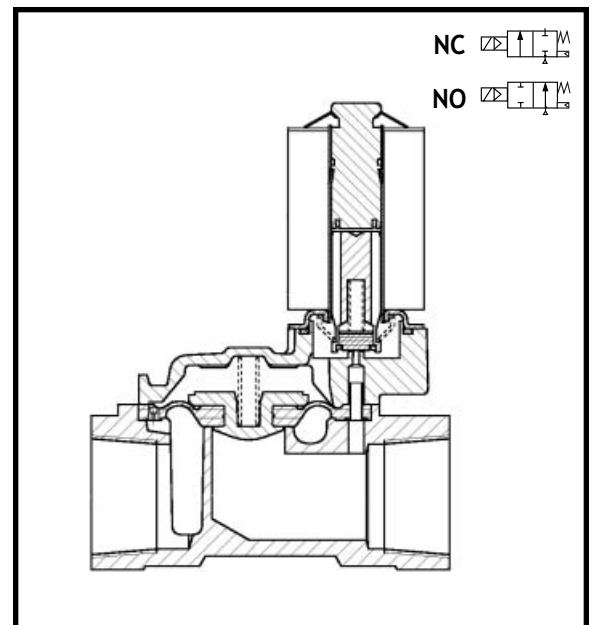
Construction

Valve Parts in Contact with Fluids	
General Service	
Body	Brass
Seals and Discs	as listed
Core Tube	Stainless Steel
Core and Plugnut	Stainless Steel
Springs	Stainless Steel
Shading Coil	Copper

Electrical

Standard Coil Class of Insulation	Watt Rating and Power Consumption				Ambient Temp. °F	DIN Spare Coil Family	DIN Connection Size
	DC Watts	AC					
		Watts	VA Holding	VA Inrush		AC/DC	
F	5.5	4	6	12	15 to 140	4300	11 mm
F	9.2	9.2	14	23	15 to 140	ZA34A	18 mm
F	13.0	13.0	24	44	15 to 140	Z134A	18 mm
F	17.2	-	-	-	15 to 140	Z914A	18 mm
F	-	21.0	33	65	15 to 140	Z923E	18 mm

Standard Voltages: 24, 120, 240 volts AC, 60 Hz (or 110, 230 volts AC, 50 Hz). 12, 24 volts DC (6 DC for 3 watt version). Must be specified when ordering.



Approvals

UL recognized coil
Meets applicable CE directives



Specifications

Pipe Size (ins.)	Orifice Dia. (ins.)	Cv Flow	Operating Pressure Differential (psi)							Max. Fluid Temp. °F	Brass	Const. Ref.	UL ^①	Wattage		Approx. Shipping Weight (lbs.)
			Max. AC			Max. DC								AC	DC	
			Min.	Air - Inert Gas	Water	Light Oil	Air - Inert Gas	Water	Light Oil							
General Service - Normally Closed																
3/8	25/64	1.75	0	145	145	145	43	43	43	195	SC8238S401	1	☐	9.2	9.2	2.0
3/8	17/32	2.89	5	230	230	230	230	230	230	195	SC8238T402	2	☐	4	5.5	1.7
1/2	1/2	2.46	0	145	145	145	43	43	43	195	SC8238S404	4	☐	13	13	2.3
1/2	17/32	4.45	5	230	230	230	230	230	230	195	SC8238T405	5	☐	4	5.5	2.0
3/4	3/4	5.60	0	3	3	3	-	-	-	190	SC8238S406	6	☐	13	-	2.3
3/4	11/16	5.27	0	145	145	145	43	43	43	195	SC8238S407	7	☐	13	13	2.7
3/4	11/16	5.85	5	175	175	175	175	175	175	195	SC8238T408	8	☐	4	5.5	2.3
1	3/4	10.53	0	145	145	145	43	43	43	195	SC8238S409	9	-	21	17.2	5.0
1	15/16	12.87	5	175	175	175	175	175	175	195	SC8238T410	10	☐	4	5.5	3.5
1 1/4	1 1/4	17.50	7	145	145	145	145	145	145	195	SC8238S411	11	☐	9.2	9.2	4.6
1 1/2	1 3/4	31.50	7	145	145	145	145	145	145	195	SC8238S412	12	☐	9.2	9.2	6.7
2	1 3/4	39.66	7	145	145	145	145	145	145	195	SC8238S413	13	☐	9.2	9.2	7.6
General Service - Normally Open																
3/8	17/32	2.89	5	175	175	175	120	120	120	195	SC8238T414	14	☐	4	5.5	2.0
1/2	17/32	4.45	5	175	175	175	120	120	120	195	SC8238T415	15	☐	4	5.5	2.3
3/4	11/16	5.85	5	175	175	175	120	120	120	195	SC8238T416	16	☐	4	5.5	2.5
1	15/16	12.87	5	175	175	175	90	90	90	195	SC8238T417	17	☐	4	5.5	3.5
1 1/4	1 1/4	17.50	7	145	145	145	145	145	145	195	SC8238S418	18	☐	9.2	9.2	4.6
1 1/2	1 3/4	31.50	7	145	145	145	145	145	145	195	SC8238S419	19	☐	9.2	9.2	6.7
2	1 3/4	39.66	7	145	145	145	145	145	145	195	SC8238S420	20	☐	9.2	9.2	7.6

☐ = UL recognized coil. ① With SU or SC prefix only.

Capabilities Chart

NEMA Type 3-9	Solenoid Options							Base Catalog Number	Resilient Materials								Other	Standard Rebuild Kit	
	High Temp. (DIN only)	Wiring Box Screw Terminal	Multipin	DIN	Spade	Open Frame with Leads ②	Brass		NBR	FKM	EPDM	Neoprene	Oxygen Service	PTFE	Urethane	Vacuum		Manual Operator	Brass AC
-	SU	-	-	●	-	OF	SC8238S401	●	V ①	-	-	-	-	-	-	MO	323185	323185	
-	SU	-	-	●	-	OF	SC8238T402	●	V ①	-	-	-	-	-	-	MO	323457	323457	
-	SU	-	-	●	-	OF	SC8238S404	●	V	-	-	-	-	-	-	-	322957	322957	
-	SU	-	-	●	-	OF	SC8238T405	●	V ①	-	-	-	-	-	-	MO	323457	323457	
-	SU	-	-	●	-	-	SC8238S406	●	-	-	-	-	-	-	-	-	322961	-	
-	SU	-	-	●	-	OF	SC8238S407	●	V	-	-	-	-	-	-	-	322962	322962	
-	SU	-	-	●	-	OF	SC8238T408	●	V ①	-	-	-	-	-	-	MO	323507	323507	
-	SU	-	-	●	-	-	SC8238S409	●	V	-	-	-	-	-	-	-	322966	322966	
-	SU	-	-	●	-	OF	SC8238T410	●	V ①	-	-	-	-	-	-	MO	323508	323508	
-	SU	-	-	●	-	OF	SC8238S411	●	V ①	-	-	-	-	-	-	MO	323187	323187	
-	SU	-	-	●	-	OF	SC8238S412	●	V ①	-	-	-	-	-	-	MO	323189	323189	
-	SU	-	-	●	-	OF	SC8238S413	●	V ①	-	-	-	-	-	-	MO	323191	323191	
-	SU	-	-	●	-	OF	SC8238T414	●	V	-	-	-	-	-	-	-	323553	-	
-	SU	-	-	●	-	OF	SC8238T415	●	-	-	-	-	-	-	-	-	323553	-	
-	SU	-	-	●	-	OF	SC8238T416	●	-	-	-	-	-	-	-	-	323554	-	
-	SU	-	-	●	-	OF	SC8238T417	●	-	-	-	-	-	-	-	-	323555	-	
-	SU	-	-	●	-	OF	SC8238S418	●	V ①	-	-	-	-	-	-	-	323193	323193	
-	SU	-	-	●	-	OF	SC8238S419	●	V ①	-	-	-	-	-	-	-	323195	323195	
-	SU	-	-	●	-	OF	SC8238S420	●	V ①	-	-	-	-	-	-	-	323197	323197	

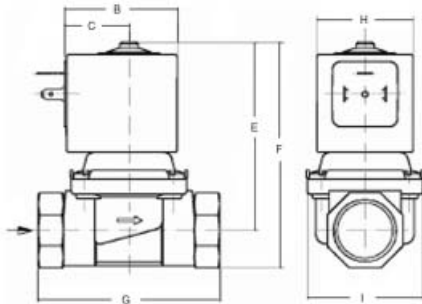
● = Standard. ① Reduces pressure rating by 25%; ② Drop the SC when applying the OF prefix.



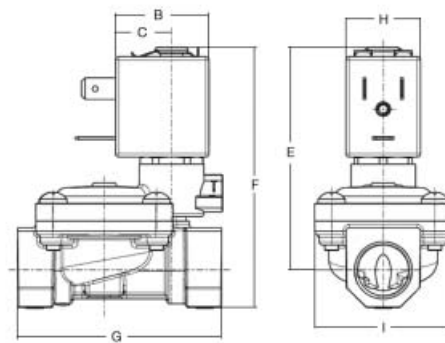
Dimensions: inches

Const. Ref.	A	B	C	D	E	F	G	H	I
1	-	1.63	0.85	-	2.71	3.15	2.36	1.18	1.61
2	-	1.08	0.65	-	2.80	3.23	2.36	0.86	1.57
4	-	1.93	1.10	-	2.93	3.54	2.60	1.65	1.61
5	-	1.08	0.65	-	2.80	3.43	2.60	0.86	1.57
6	-	1.93	1.10	-	3.23	3.88	3.11	1.65	2.01
7	-	1.93	1.10	-	3.19	3.86	3.11	1.65	2.01
8	-	1.08	0.65	-	2.85	3.50	3.11	0.86	1.97
9	-	2.33	1.38	-	3.94	4.76	4.13	1.91	2.80
10	-	1.08	0.65	-	3.35	4.17	4.13	0.86	2.80
11	-	1.69	1.06	-	4.29	5.31	4.45	1.26	3.19
12	-	1.69	1.06	-	4.41	5.59	5.51	1.26	4.33
13	-	1.69	1.06	-	4.61	6.02	6.18	1.26	4.33
14	-	1.08	0.65	-	2.63	3.07	2.36	0.86	1.57
15	-	1.08	0.65	-	2.72	3.27	2.60	0.86	1.57
16	-	1.08	0.65	-	2.85	3.54	3.11	0.86	1.97
17	-	1.08	0.65	-	3.35	4.21	4.13	0.86	2.80
18	-	1.69	1.06	-	4.29	5.31	4.45	1.26	3.19
19	-	1.69	1.06	-	4.41	5.59	5.51	1.26	4.33
20	-	1.69	1.06	-	4.61	6.02	6.18	1.26	4.33

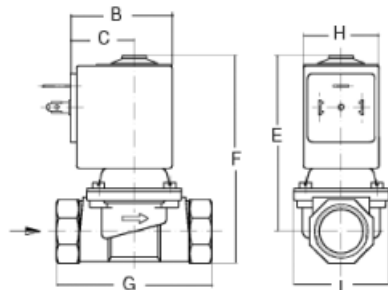
Const. Ref. 1, 4, 7, 9



Const. Ref. 2, 5, 8, 10, 14-17



Const. Ref. 6



Const. Ref. 11, 12, 13, 18, 19, 20

